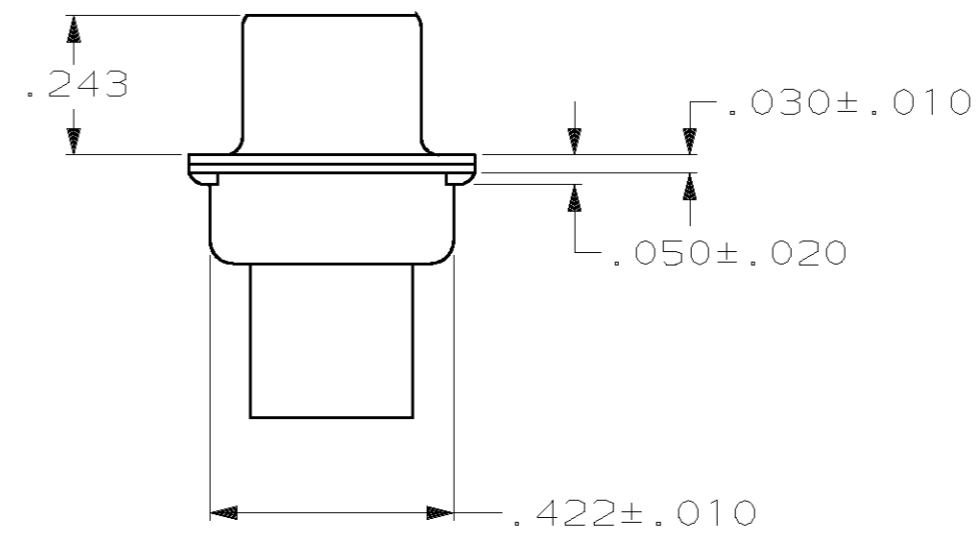
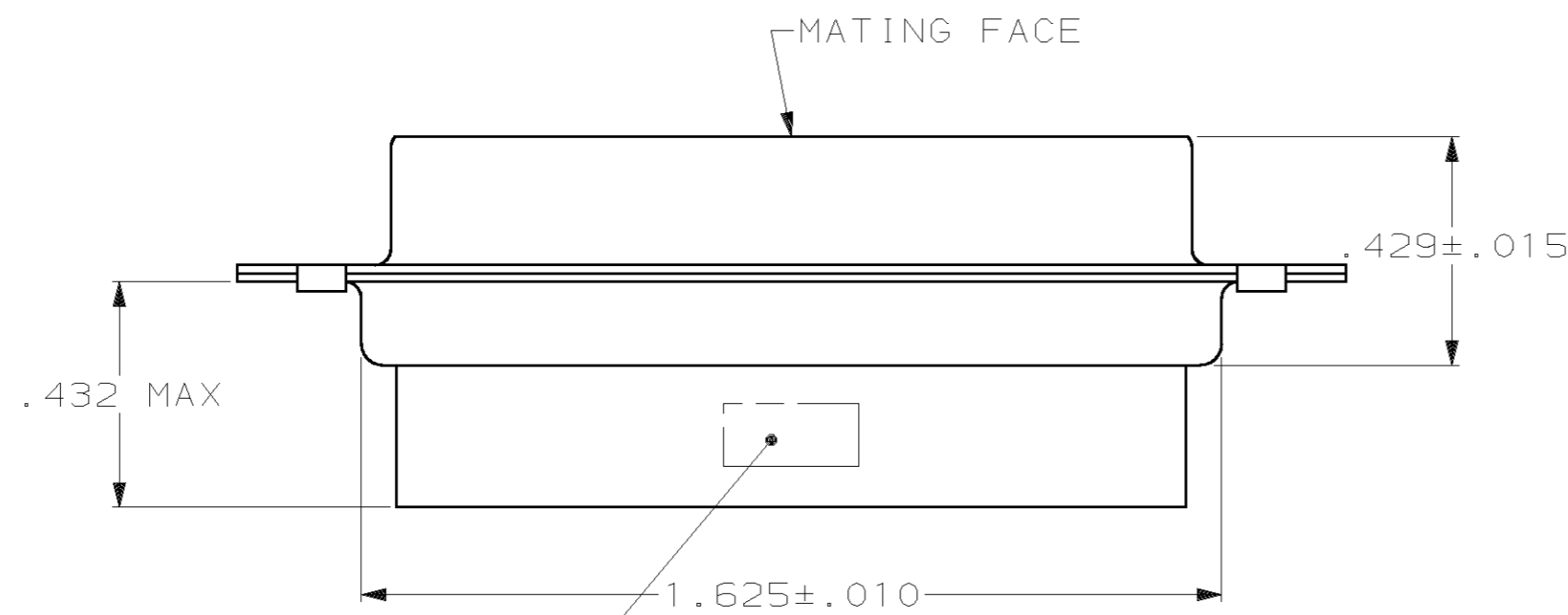
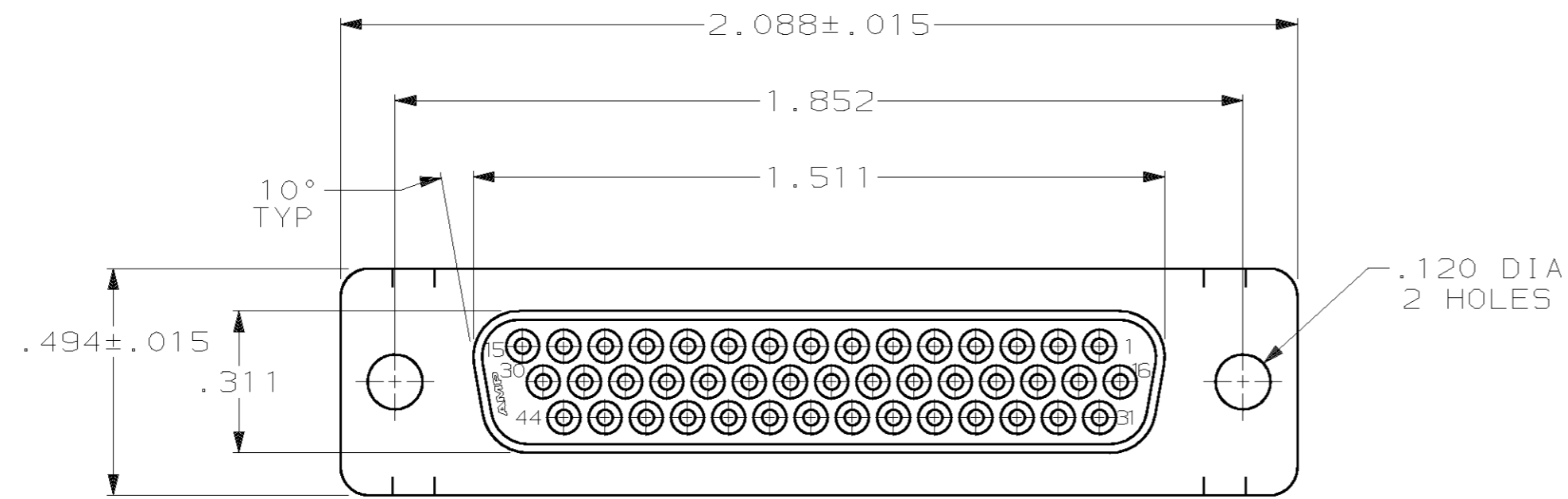


THIS DRAWING IS UNPUBLISHED. RELEASED FOR PUBLICATION
 (C) COPYRIGHT 19 BY AMP INCORPORATED. ALL RIGHTS RESERVED.

LOC	DIST	REVISIONS					
GP	00	P	LTR	DESCRIPTION	DATE	DWN	APVD
		0		RELEASED PER EC 0513-0209-03	02JAN04	LB	5B



TYCO, PART NO & DATE CODE, MARKED IN AREA INDICATED, ON FAR SIDE

- 1. CONNECTOR ACCEPTS 22 DF SOCKET CONTACTS, RETENTION TINES ARE AN INTEGRAL PART OF INSERT.
- 2. FLAME RETARDANT 94V-0 RATED GLASS FILLED NYLON, COLOR: BLACK.
- 3. CARBON STEEL.
- 4. .000200 MIN. TIN PLATE OVER .000100 MIN. COPPER UNDERPLATE.

1658683-1
PART NUMBER

THIS DRAWING IS A CONTROLLED DOCUMENT.		DWN L. BAUM 02JAN04	AMP Incorporated Harrisburg, PA 17105-3608
DIMENSIONS: INCH		CHK S. BOLASH 02JAN04	
		APVD M. WALMSLEY 02JAN04	
TOLERANCES UNLESS OTHERWISE SPECIFIED: 0 PLC ±- 1 PLC ±- 2 PLC ±- 3 PLC ±.005 4 PLC ±- ANGLES ±2°		NAME RECEPTACLE ASSEMBLY, SIZE 3, 44 POSN, HDP-22, AMPLIMITE®	
MATERIAL MOLDED PARTS: SHELLS: △	FINISH SHELLS: △	PRODUCT SPEC 108-1268	RESTRICTED TO
CUSTOMER DRAWING		APPLICATION SPEC 114-10001	SCALE 3:1
		WEIGHT -	SHEET 1 OF 1
		SIZE A2	REV 0
		CAGE CODE 00779	DRAWING NO 1658683